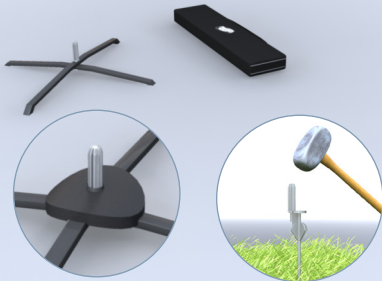




**SET UP
INSTRUCTION
FLAG SYSTEM**

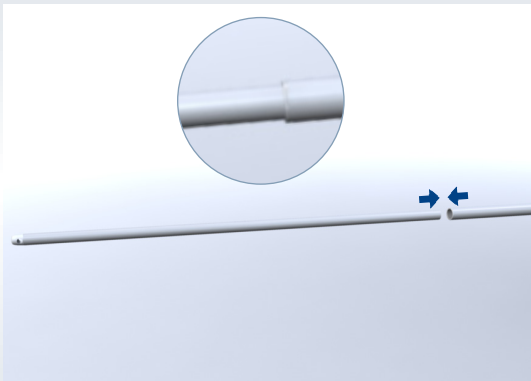
expolinc
Opportunities on display

1



Place the x-foot or ground stake on the ground.
If needed for windy weather, support the x-foot with an extra weight (# 1820).
Set the ground stake using a hammer or a small sledgehammer.
NOTE! Hit the round plate. Not the plastic holder for the flag pole.

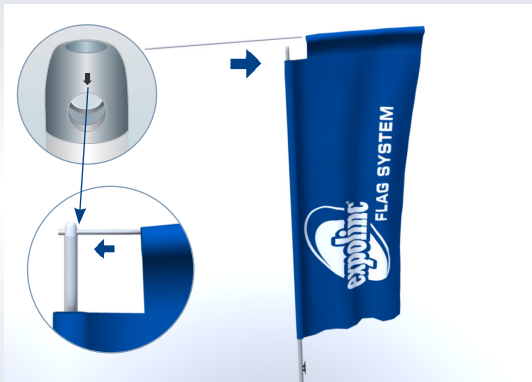
2



Assemble the two lower poles by inserting the upper pole into the plastic sleeve of the lower pole.

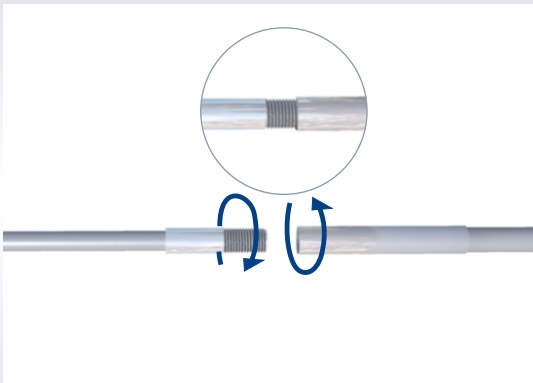
If the rectangular flag is used, the vertical pocket of the flag shall be threaded over the assembled sections. If the curved flag is used go to step 4.

3



For rectangular flag only. Thread the top stick into the horizontal pocket of the flag. Mount the top stick from the side in the top bracket. Note: It has to be assembled into the top bracket marked with an arrow. Go to step 6.

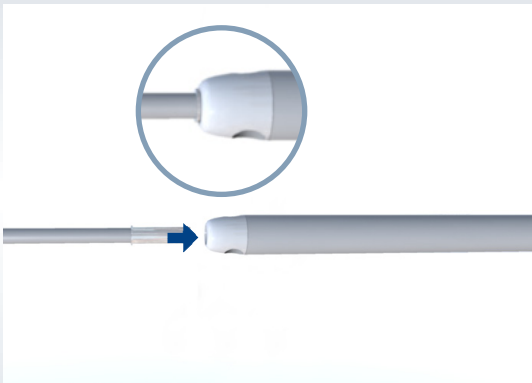
4



For curved flag only.

Assembly the fibre rod kit by screwing them together.

5



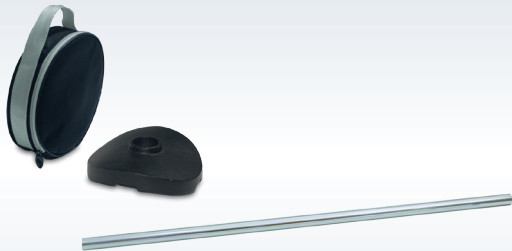
Mount the assembled fibre rod kit to the top of the top bracket.
Thread the flag over the assembled sections.

6



Put the flag pole with the flag on the holder on the x-foot or the ground stake.
Stretch the flag with the rope and lock it over the cleat.

ACCESSORIES



As an option to both packages:

- Extra weight in a specially designed carrying case.
- Extra flag pole part for flag extension (available only for rectangular flag).



Opportunities on display



**WE ARE CONSTANTLY DEVELOPING
AND IMPROVING OUR PRODUCTS!**

Further details about us, our assortment, new innovations, instructions and retailers etc. are available on our website www.expolinc.com.

expolinc
Opportunities on display